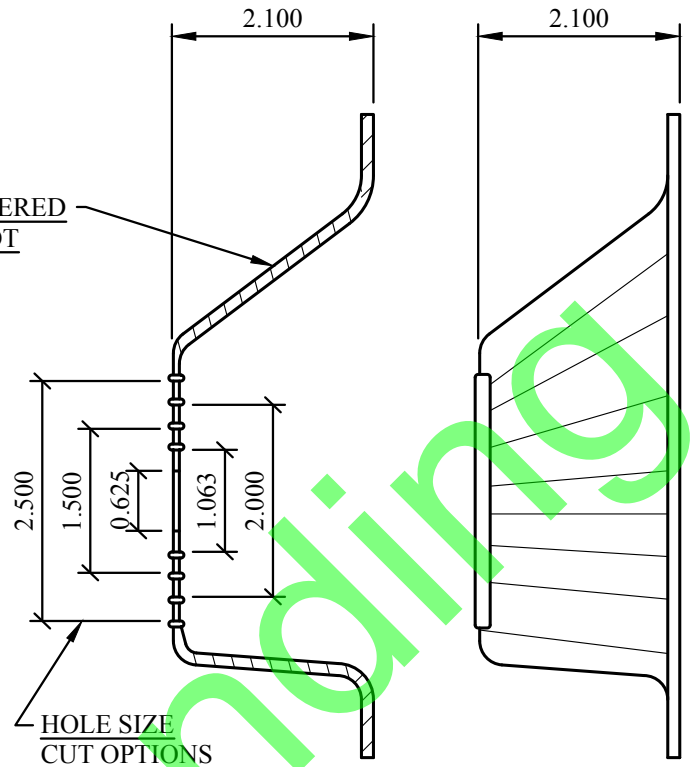


1/16" RUBBER  
BOOT FLANGE  
(SHORE 58  
DUROMETER)

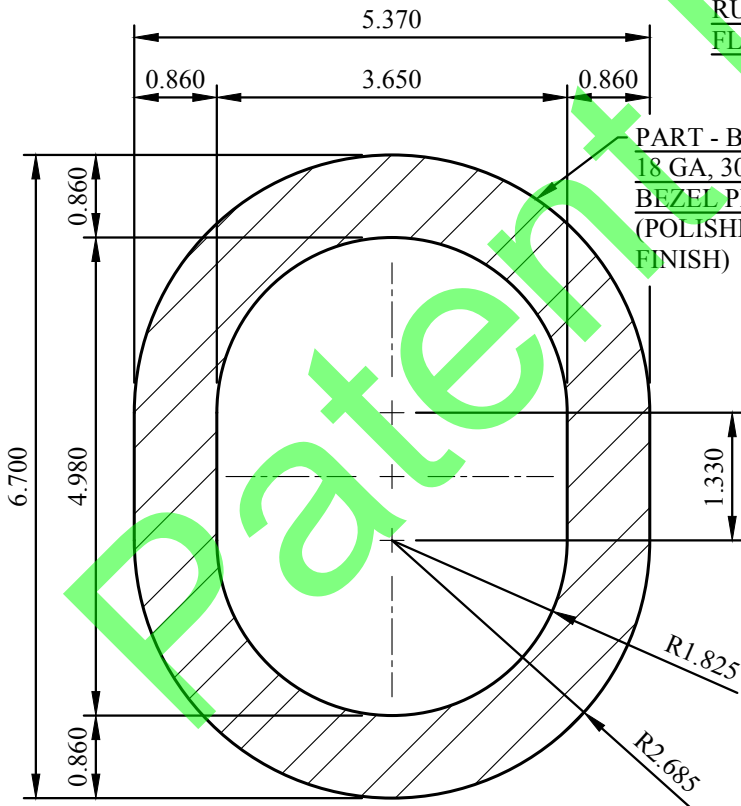
**PART - A, FRONT VIEW**



HOLE SIZE  
CUT OPTIONS  
(TYP)

**SECTION-1**

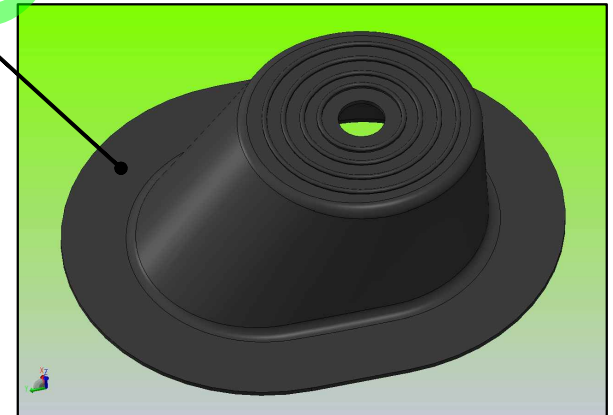
**SECTION-2**



**PART - B, FRONT VIEW**

PART - A  
RUBBER BOOT  
FLANGE

PART - B  
18 GA, 304, STN. STL.  
BEZEL PLATE  
(POLISHED GR # 8,  
FINISH)



**STEERING RUBBER  
BOOT SEAL**

PATENT PENDING

REV	DATE	BY	DESCRIPTION
2	06-25-18	KWH	REVISED BOOT DIMENSIONS
1	06-01-18	KWH	REVISED BOOT COMFIGURATION

DETAILS OF: STEERING RUBBER BOOT SEAL

FOR: JJSRODS.COM

LOCATION: 3021 BROOKS MILL LANE, WINGATE, NC 28174

DESIGNER: JEFF JOHNSON

DEVELOPER: JEFF JOHNSON

DRAWN: 05/02/16 BY: HOWELL DETAILING SERVICE, INC

**PART NOTES:**

- SCALE: 6" = 1'-0", (UNO).
- ALL DIMENSIONS ARE SHOWN IN INCHES.

HOWELL DETAILING  
SERVICE, INC  
Kenh2817@carolina.rr.com



PART #  
**JJS-32561916-1**