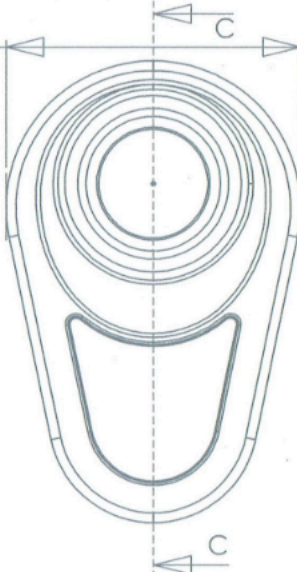
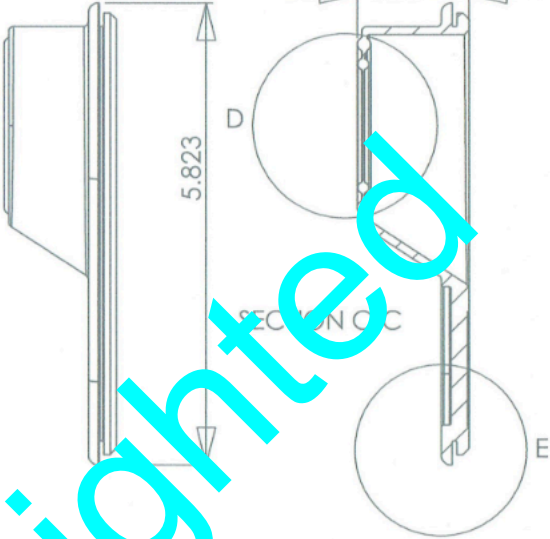


3.700

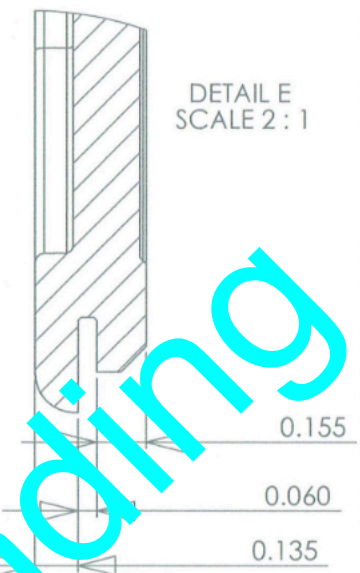


5.823

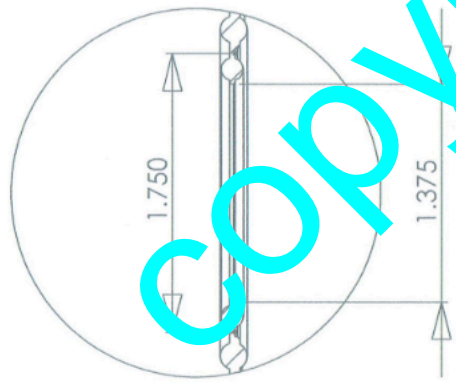
1.408



DETAIL E
SCALE 2:1



DETAIL D
SCALE 1:1



UNLESS OTHERWISE SPECIFIED:

DIMENSIONS ARE IN INCHES
 TOLERANCES:
 FRACTIONAL ±
 ANGULAR: MACH ± BEND
 TWO PLACE DECIMAL
 THREE PLACE DECIMAL

INTERIET GEOM...
 TOLER...
 MATER...

NAME DATE

DRAWN
 CHECK
 ENG APPR.
 APPR.
 Q.A.
 COMMENTS:

steering column grommet

SIZE DWG. NO.

REV

A

SCALE: 1:2 WEIGHT:

SHEET 1 OF 1

5

4

3

2

1

copyrighted patent pending