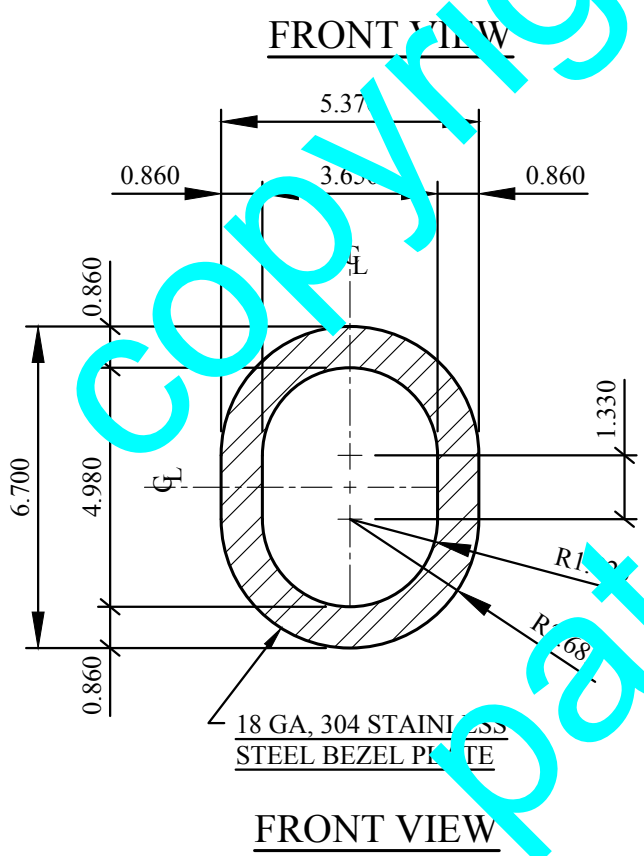


EXTERNAL STEERING COLUMN BOOT



FRONT VIEW

PATENT PENDING

◆			
◆1	5/6/16	KWH	REVISED PLATE SIZE
REV	DATE	BY	DESCRIPTION

DETAILS OF: EXTERNAL STEERING COLUMN BOOT
 FOR: JJSRODS.COM
 LOCATION: WINGATE, NC
 DESIGNER: JEFF JOHNSON
 DEVELOPER: JEFF JOHNSON
 DRAWN: 05/02/16 BY: HOWELL DETAILING SERVICE, INC

PART NOTES:

1. SCALE: 3" = 1'-0", (UNO).
2. ALL DIMENSIONS ARE SHOWN IN INCHES.

PART #
201601