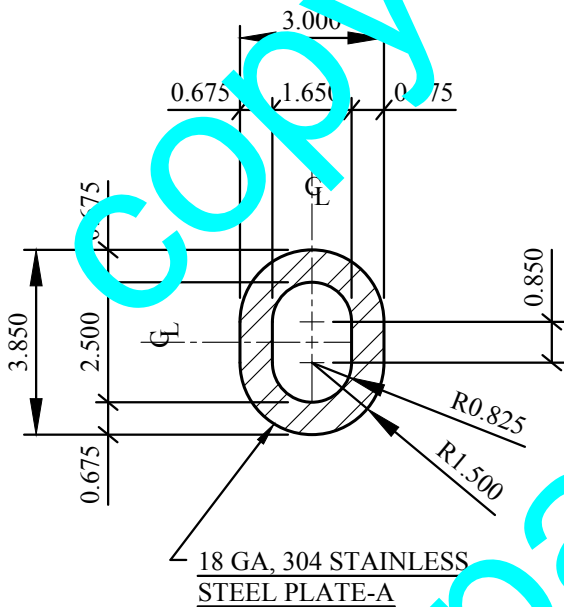


**FRONT VIEW**



**FRONT VIEW**



**EXTERNAL BRAKE / CLUTCH  
PEDAL ROD BOOT**

PATENT PENDING

◇			
◇1	5/6/16	KWH	REVISED NOTES
REV	DATE	BY	DESCRIPTION

DETAILS OF: EXTERNAL BRAKE / CLUTCH PEDAL ROD BOOT  
 FOR JJSRODS.COM  
 LOCATION WINGATE, NC  
 DESIGNER JEFF JOHNSON  
 DEVELOPER JEFF JOHNSON  
 DRAWN 05/05/16 BY HOWELL DETAILING SERVICE, INC

**PART NOTES:**

1. SCALE: 3" = 1'-0", (UNO).
2. ALL DIMENSIONS ARE SHOWN IN INCHES.

PART #  
**201602**